

## 6 FACES

## 6 USES

**WORKING FACE**  
 40×40 Inox Sheet removable  
 - Wood blocking  
 - Lighting system

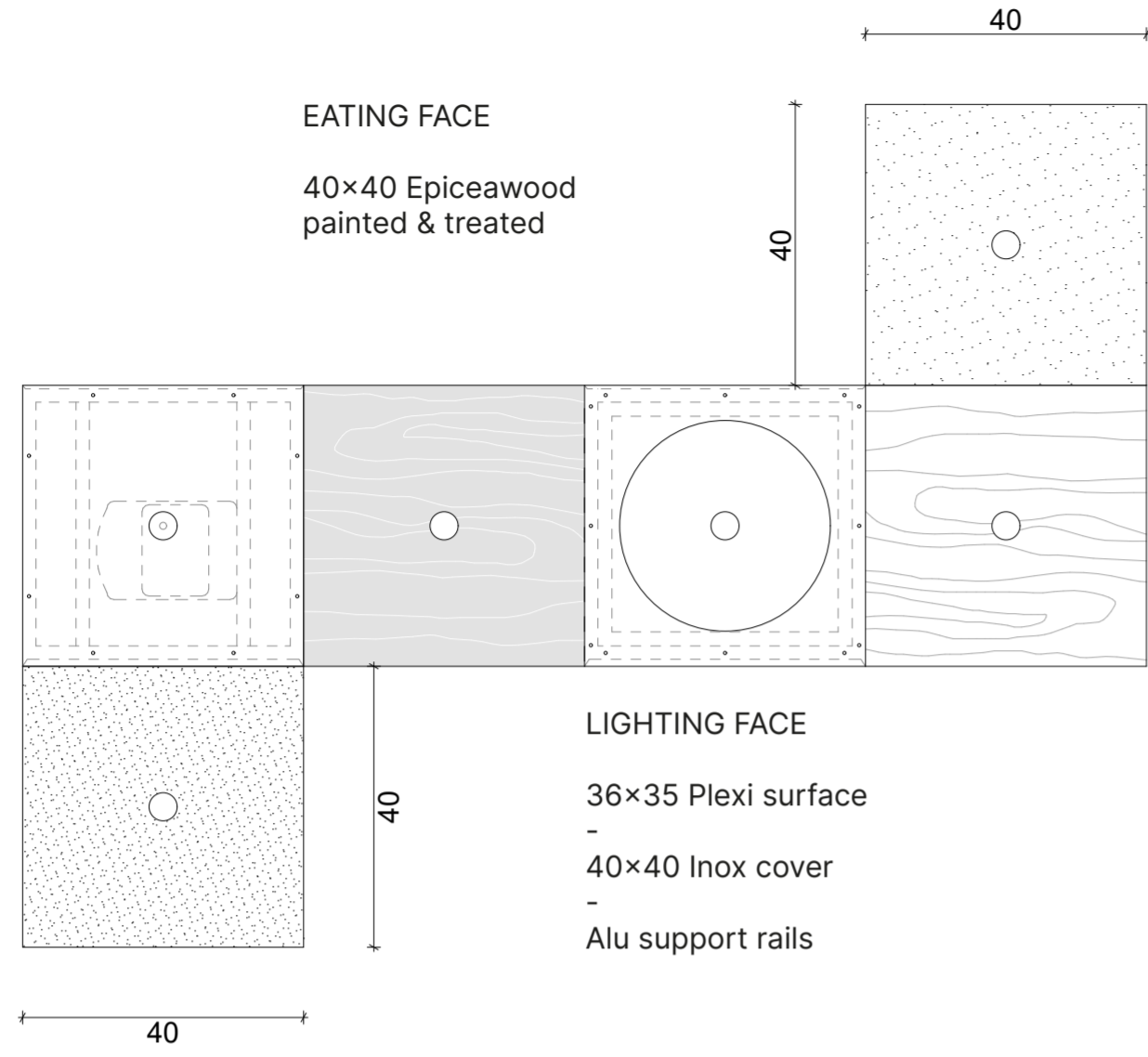
**EATING FACE**  
 40×40 Epiceawood painted & treated

**RESTING FACE**  
 40×40 Blue/green stapled carpet  
 - ~40×40 Epicea wood support

**OUTDOOR FACE**  
 40×40 Blue Tartan  
 - ~40×40 Epicea wood support

**LIGHTING FACE**  
 36×35 Plexi surface  
 - 40×40 Inox cover  
 - Alu support rails

**FLOORING FACE**  
 40×40 Epiceawood varnished



1

2

3

4

8

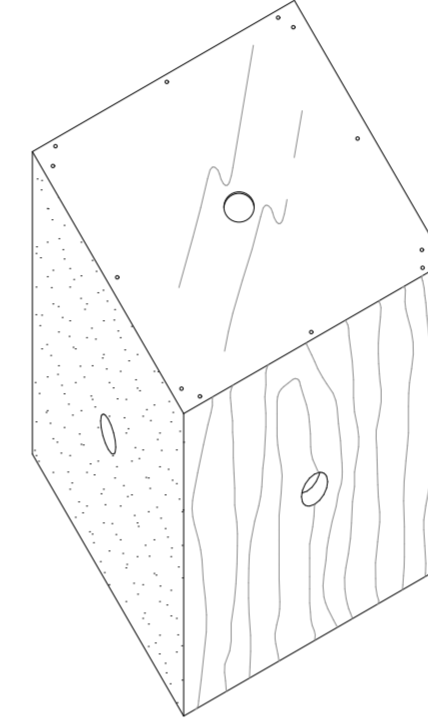
7

9

5

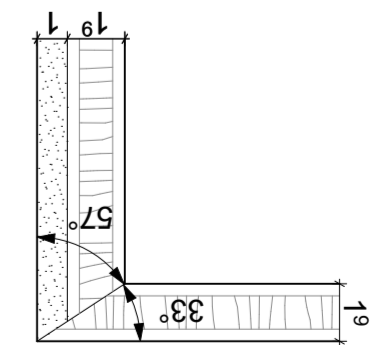
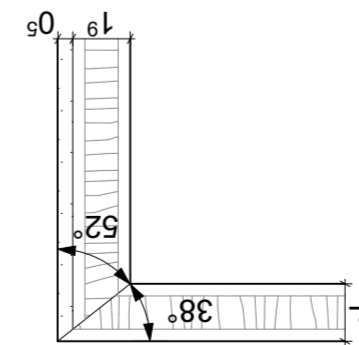
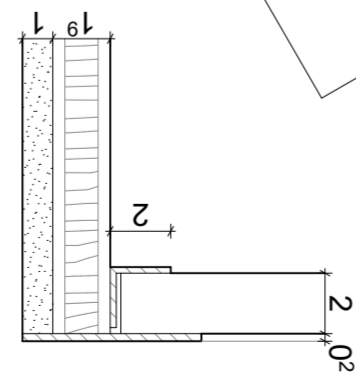
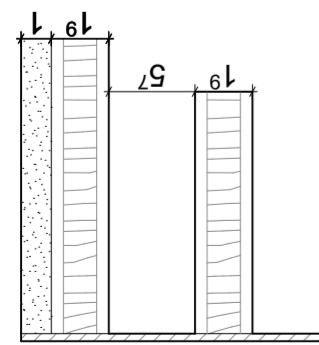
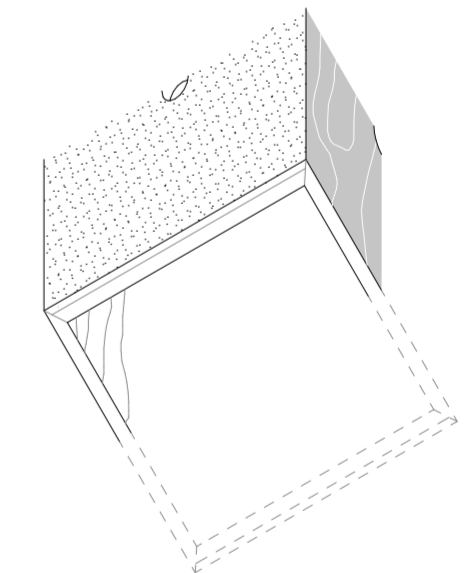
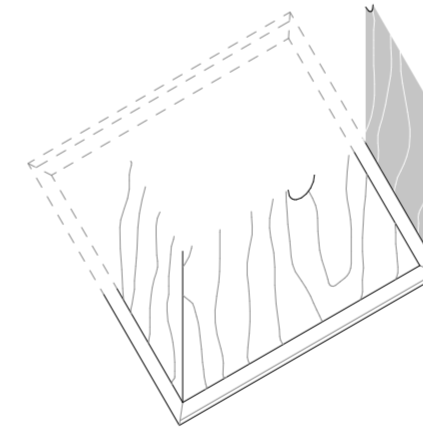
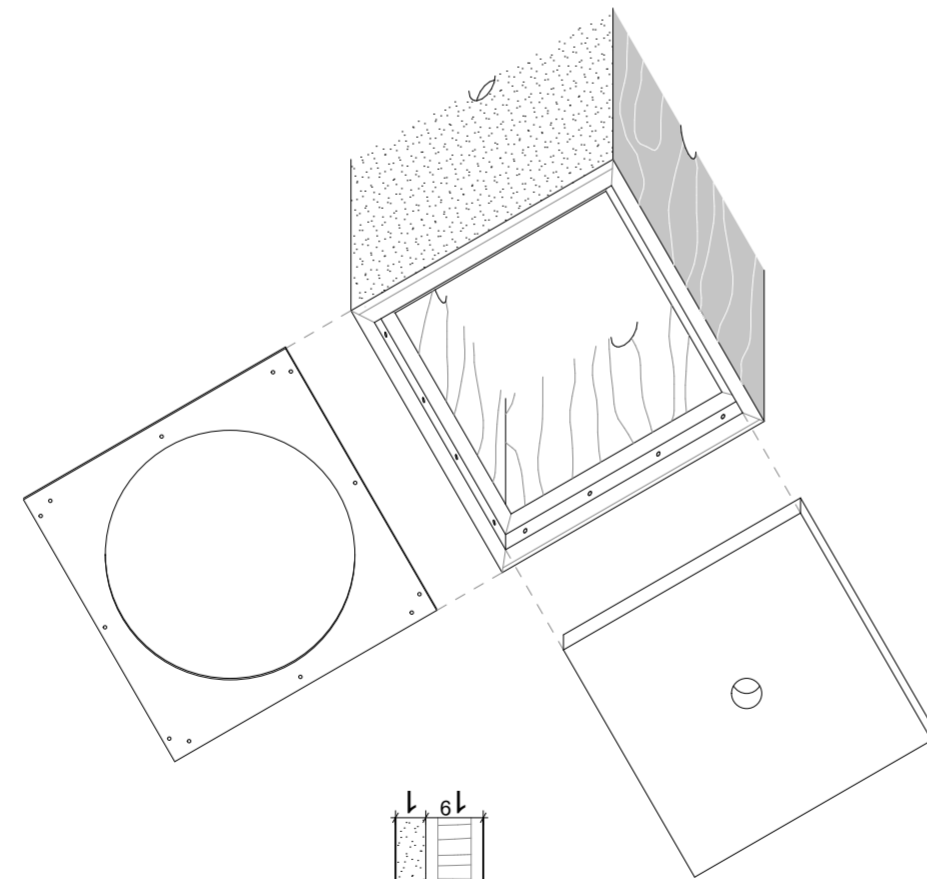
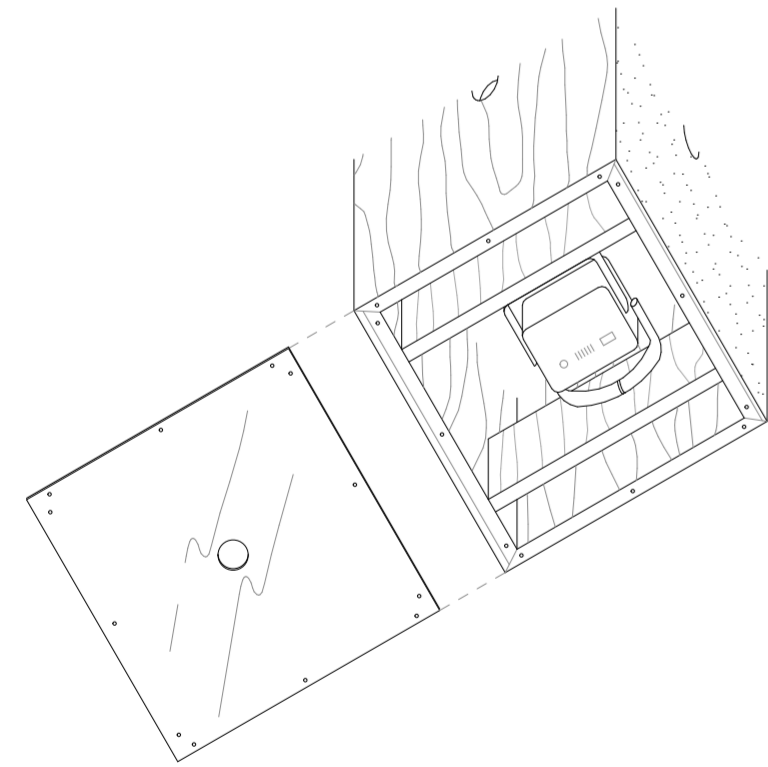
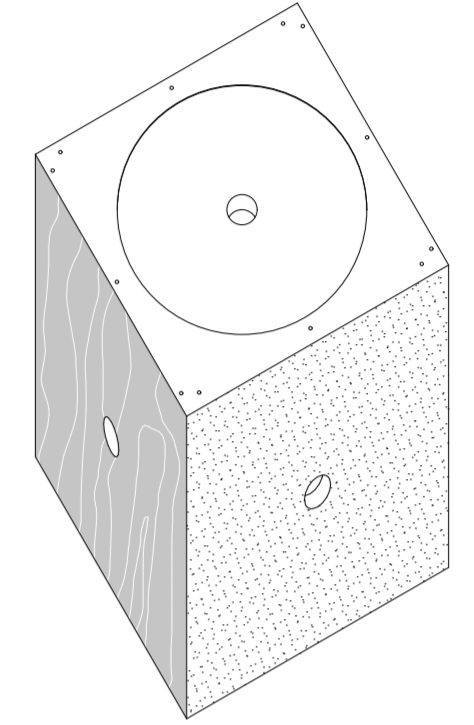
## USES & MAINTENANCE

Working face is a multipurpose durable surface, ideal for heavy duty uses. You can unscrew it to access the inside of the cube -  
 Resting face is a soft and comfortable surface, use it alone as soft seat but also in patch as carpet, sofa, bed or anything you would like to chill on.  
 Flooring face is a stable and warm wood surface, treated to serve as walking surface. Wash it with classical household products.



## MAINTENANCE & USES

Lighting face is a translucent and illuminated surface, turn it on and off from the opposite side, charging it requires to open the working face.  
 Eating face is a colored wood surface, made to be assembled in a chequered pattern. It is treated to be easily washed after dinner.  
 Outdoor face is a rubberized and antislippery surface. Use it for any physical activity.



WORKING FACE

LIGHTING FACE

CARPET-WOOD CORNER

TARTAN-WOOD CORNER

